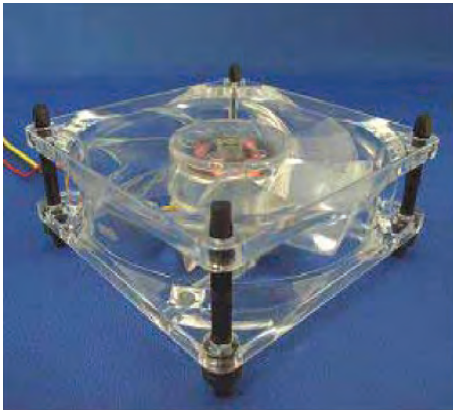


Fan Fixer FF Series

NEW



Fan Fixer is a fixture that reduces vibrations, and noise of cooling fan. It allows for fan to be installed without screws.

- Resonance and fluttering noise are reduced by damping the vibrations transmitted from the cooling fan.
- A snap structure enables simple one-touch installation. Screws or tools are not necessary.

Specifications

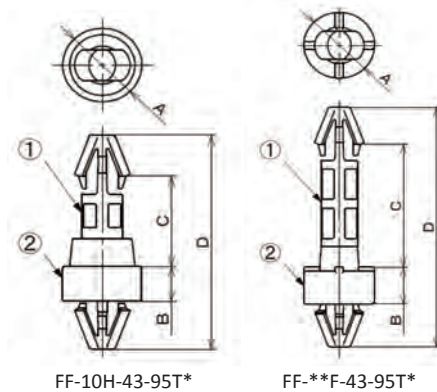
Part Number	A	B	C	D	Mounting plate	Mounting holes
FF-10H-43-95T*	∅8	3.5	9.8	24.5	t0.8~1.0	∅ 4.3 ± 0.1
FF-15F-43-95T	∅8	4.0	15.0	38.5	t1.0~1.2	∅ 4.3 ± 0.1
FF-25F-43-95T	∅8	4.5	25.0	29.3	t0.8~1.0	∅ 4.3 ± 0.1

Material: 1: PP (Snap portion and support portion) 2: TPS (flexible portion)

Recommended fan specification

Part Number	Thickness (mm)	Screw hole diameter (mm)	Weight (G)
FF-10H-43-95T*	t10 +0.3 / -0.5	∅ 4.3 +0.2 / -0.1	~40
FF-15F-43-95T	t15 +0.3 / -0.5	∅ 4.3 +0.2 / -0.1	~40
FF-25F-43-95T	t25 +0.3 / -0.5	∅ 4.3 +0.2 / -0.1	~40

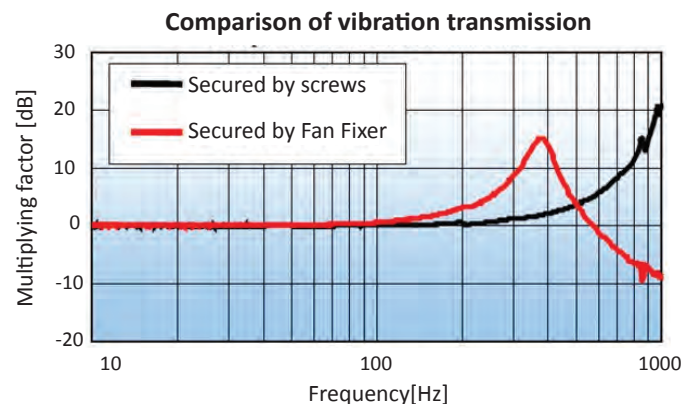
*FF-10H-43-95T is dedicated to use with the D05X series made by Nidec Corporation



Characteristics

<Test conditions>

Test part number: FF-15F-43-95T
 Mounting plate: t1.0
 Fan size: □60 t15
 Fan weight: 40g (4-point support)
 Test temperature: 25°C
 Acceleration: 0.4G
 Measured frequency: 5~1000Hz



Tel: 1-855-EMC-PART (1-855-362-7278) Email: sales@kgs-ind.com

All statements, specifications, properties, technical information, and recommendations herein are based on tests; however, the accuracy and completeness are not guaranteed and are subject to change without notice due to product improvement and specification change. This statement is made in lieu of all warranties, expressed or implied, including the implied warranties of marketability, and fitness for purpose. KITAGAWA INDUSTRIES America, Inc. obligation under this warranty shall be limited to replacement of product that proves to be defective. Prior to use, the user shall determine the suitability of the product for its intended use, and the user assumes all risk and liability whatsoever in connection therewith. KITAGAWA INDUSTRIES America, Inc. shall have no liability for any injury, loss, or damage arising out of the use of or the inability to use the products. No statement or recommendation contained herein shall have any force or effect unless in an agreement signed by officers of seller and manufacturer.

Please request for detailed product specification data prior to purchase

Volume resistivity stated on our EMI absorber flyer is meant for noise control parameters, where the absorber is considered a conductor, but not for insulation performance. Care should be taken when using absorbers. KITAGAWA INDUSTRIES America, Inc. makes no guarantees as to electrical resistivity values and accepts no liability due to short circuits where EMI absorbers are used directly on a PC Board or areas near high voltage such as for power. The products are designed for EMI noise reduction for electronics. This is not recommended for applications involving human life or extremely high accuracy. Prior to using the products in production, please verify their performance or adhesive strength of PSA for long term use. Avoid applying any external stress such as bending or high amounts of tension. Note when the absorber products are cut, bent, or pulled, there may be a possibility of creating cracks. For storage, keep products in a cool, dry, well-ventilated area at room temperature and avoid high temperatures, humidity, and direct sunlight.

Please contact the sales department at KITAGAWA INDUSTRIES America, Inc. for the use of our products prior to selecting the parts for your application.