



Water and dust resistant cover for USB connectors

Features

- Water sealing cover of a socket.
- Cover with clamp portion prevents cables from releasing.



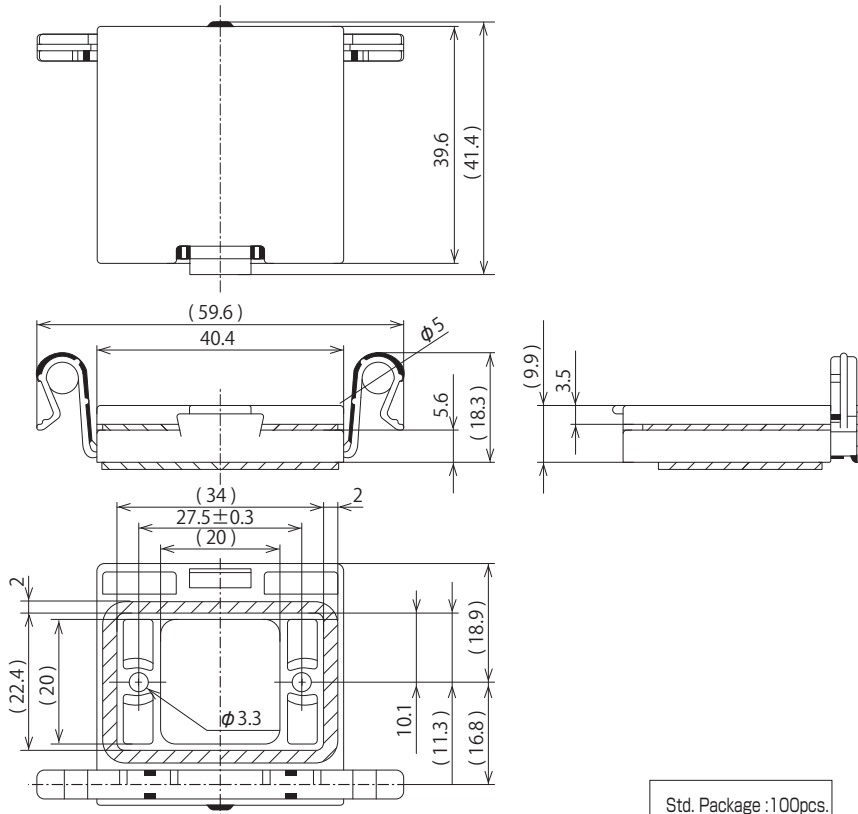
Screw mounting

(Applicable screw : M3 Pan head screw)

Material

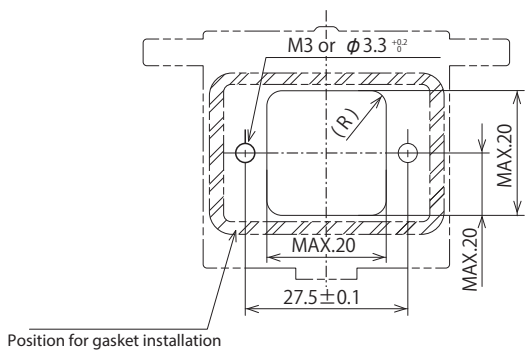
- Body / Polyacetal (Color : Black)
- Gasket / EPDM (Color : Black)

UL94 HB



Std. Package : 100pcs.

Specification drawing



Position for gasket installation

(Unit : mm)